

Unlocking Tutorial Seagate ST310014ACE v0.1 by cyd0g

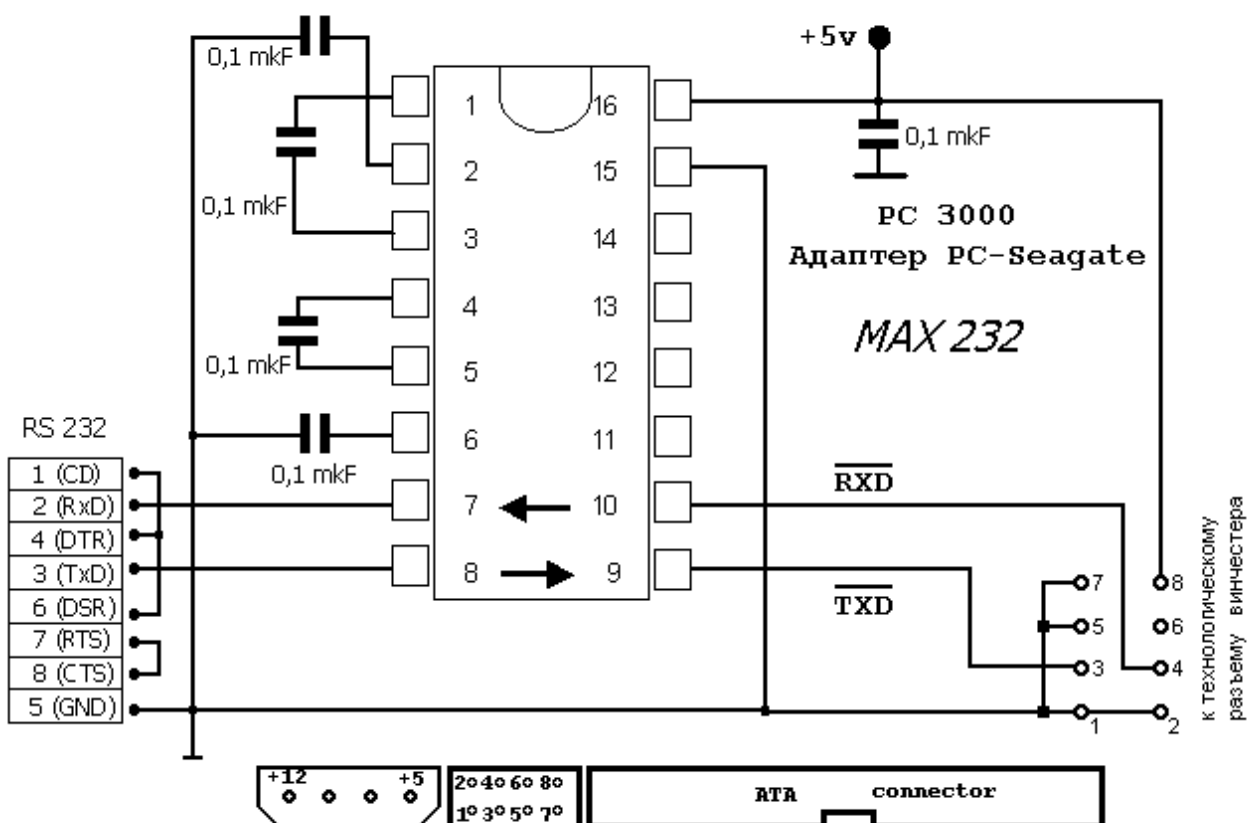
First of all, sorry for my bad english.

It took a long time but now it's possible to unlock this drive without the key.

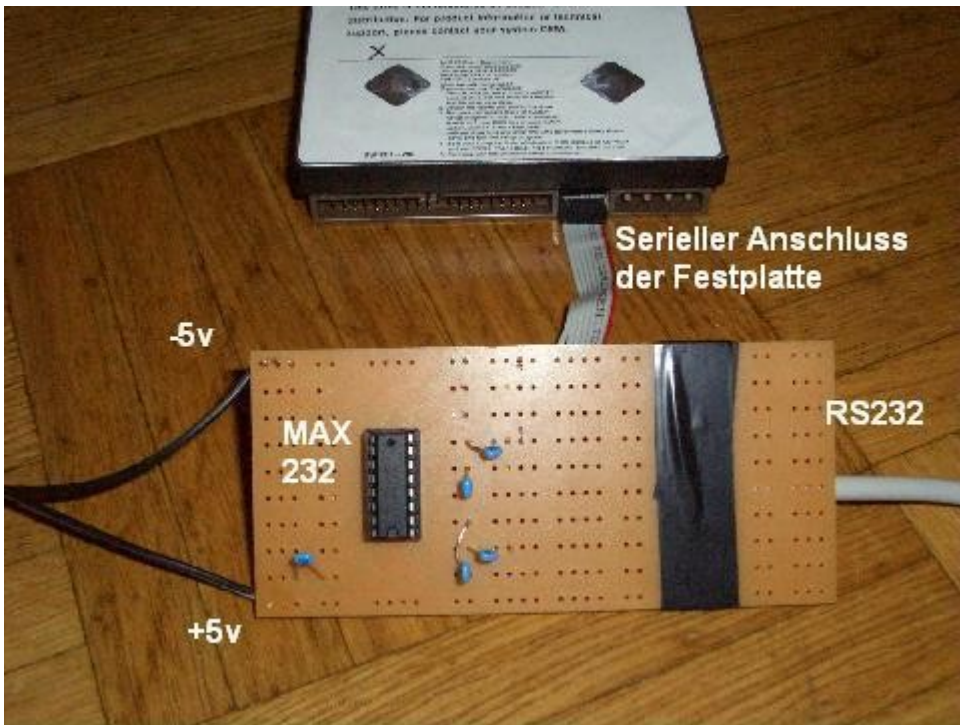
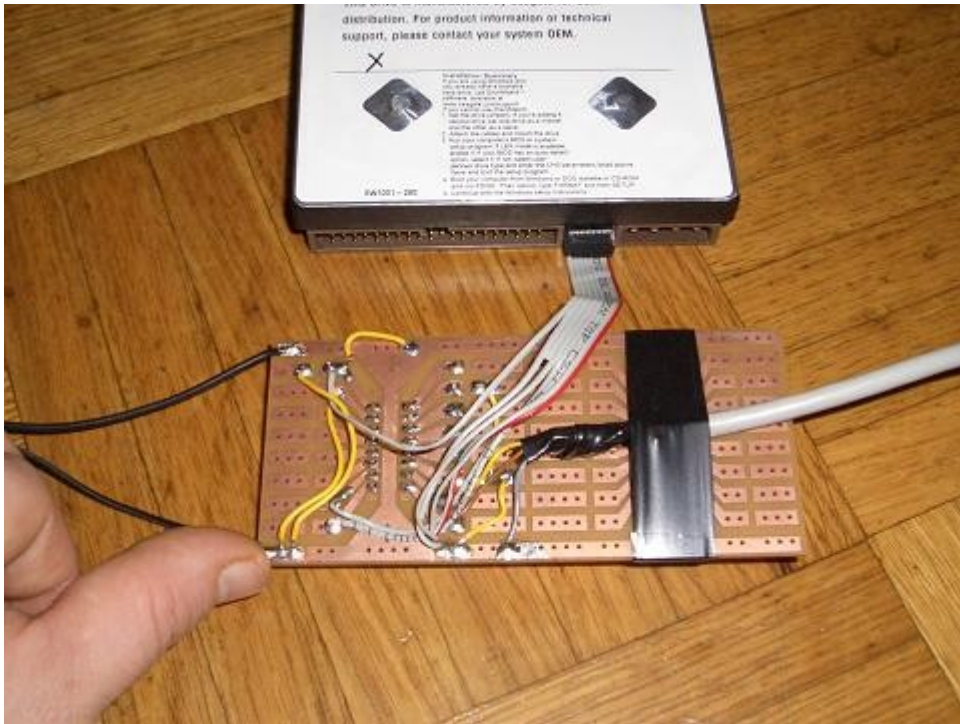
Things you need :

- 1 x MAX232
- 5 x elko 0,1 mkF
- 1 x empty platine (optional)
- 1 x RS232 cable
- 1 x old IDE cable
- 1 x bottle of beer (optional)

The schematic looks loke this :



Don't forget to solder the elko near +5v to (GND) !



I made the cable for the serial connection to the harddrive from an old IDE cable, but you can use what ever you want to – be creative ;-)
 I soldered the cable from an universal powersupply to the platine, you can also grab the 5v from your PC powersupply.
 Now it's getting hot :-> connect the RS232 cable to COM1, the serial connector to the harddrive and 5v to the platine

! Attention! Do NOT connect power to the harddrive NOW ! Attention!

Now we need to establish a new Hyperterminal connection.

You can find Hyperterminal in
[C:\Program Files\Windows NT\hypertrm.exe](#)

Don't ask where to find in Win98/ME/2000 , i don't know

Start the program

- Type in a connection name , e.g. Seagate
- Connect choose COM1

This window will be shown, take the settings from the screenshot



Press OK now, but nothing will happen.
It's time to connect power to the harddrive.

! Attention !Be carefull, you could kill your powersupply or your PC

If everything is working , this screen will appear :

```
Seagate - HyperTerminal
Datei Bearbeiten Ansicht Anrufen Übertragung ?
Interface task reset 1024k x 16 buffer
Ref 0218 - Hd Msk 0A00 - Switch to full int.
Ready
C1 - ST310014A(S)
ROM.01.04
ATRst
PSlv_
Verbunden 00:00:29 Auto-Erkenn. 9600 8-N-1 RF GROSS NUM Aufzeichnen Druckerecho
```

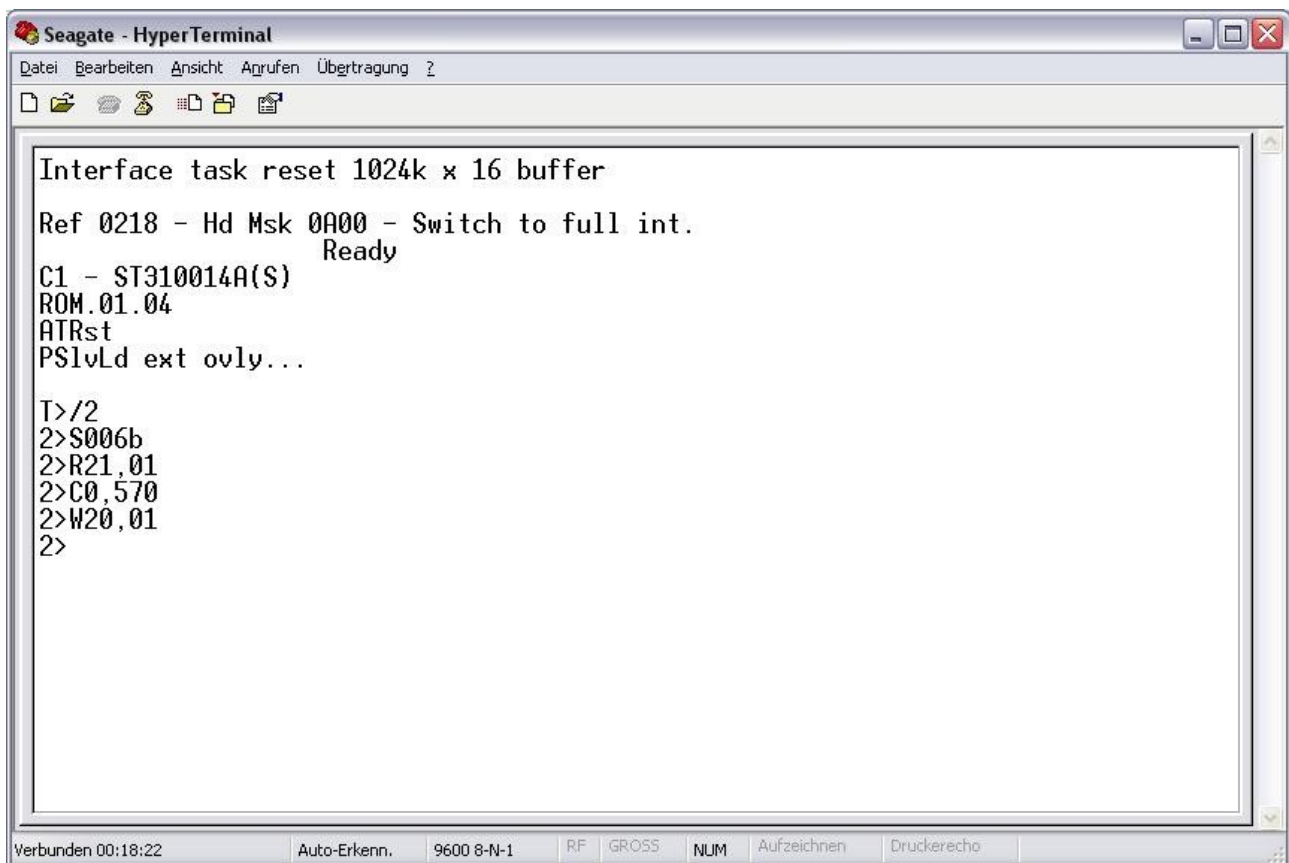
If you see many signs on the screen, check your soldering work

Press Strg+Z to get an commant prompt T>

```
Seagate - HyperTerminal
Datei Bearbeiten Ansicht Anrufen Übertragung ?
Interface task reset 1024k x 16 buffer
Ref 0218 - Hd Msk 0A00 - Switch to full int.
Ready
C1 - ST310014A(S)
ROM.01.04
ATRst
PSlvLd ext ovly...
T>_
Verbunden 00:07:47 Auto-Erkenn. 9600 8-N-1 RF GROSS NUM Aufzeichnen Druckerecho
```

!Attention! Please type **EXACTLY like shown !Attention!**

```
T>/2 (Enter)
2>S006b (Enter)
2>R21,01 (Enter)
2>C0,570 (Enter)
2>W20,01 (Enter)
```



```
Seagate - HyperTerminal
Datei Bearbeiten Ansicht Anrufen Übertragung ?
Interface task reset 1024k x 16 buffer
Ref 0218 - Hd Msk 0A00 - Switch to full int.
Ready
C1 - ST310014A(S)
ROM.01.04
ATRst
PSlvLd ext ovly...
T>/2
2>S006b
2>R21,01
2>C0,570
2>W20,01
2>
```

Congratulation :-) you've unlocked your harddrive and it's ready for use in your PC or whatever you want.
Disconnect the hyperterminal connection, and don't forget your beer ;-)

Credits fly out to :

***** ,Bubu ,Bishop,Balduin,Warlock-XBOX,Electromeister,X360 & Yvi

Special greetings to Lord_FF visit @ <http://www.x-disk.com>

tutorial written 04.12.2005 by cyd0g with Open Office 2.0